

NavQuest 600 Micro

Doppler Velocity Log

The World's Smallest DVL



- 600 kHz Operating Frequency
- Highly Accurate And Robust
- Innovative Acoustic Doppler Technology
- Significantly Longer Range When Compared Against Similar Products
- Smallest Minimum Altitude In The Industry Allows Robust Navigation Very Close To the Bottom
- User Friendly And Cost Competitive
- Standard Depth 800 Meters
- Optional Depth 1500, 3000 or 6000 Meters
- Seamless Integration With TrackLink USBL Positioning Systems
- Seamless Integration With PinPoint LBL Positioning Systems
- Low Power Consumption DSP Technology

NavQuest 600 micro is the world's smallest Doppler Velocity Log manufactured by LinkQuest Inc., a company renown for its innovation, capability and product quality. The NavQuest 600 Micro Doppler Velocity Log is ideal for precision navigation and positioning of underwater vehicles. With its small size, light weight, capability for fast and accurate velocity output, significantly longer range and smaller minimum altitude comparing against similar products, the NavQuest 600 Micro Doppler Velocity Log is the excellent choice for underwater precision navigation applications.

LinkQuest Inc.

6749 Top Gun Street, San Diego, CA 92121, USA
Tel: (858) 623-9900, 623-9916 Fax: (858) 623-9918
sales@link-quest.com <http://www.link-quest.com>



NavQuest 600 Micro

Doppler Velocity Log Specifications

Velocity Specifications

Frequency	600 kHz
Accuracy	1% \pm 1 mm/s
Accuracy (Model P)	0.2% \pm 1 mm/s
Maximum Altitude	110 m
Minimum Altitude	0.3 m
Maximum Velocity	\pm 20 knots
Standard Depth	800 m
Optional Depth	1500, 3000 or 6000 m
Maximum Ping Rate	5/second

Power

Maximum Transmit	80 watts
Receiver	1.2 watts
Average Power Consumption	2-5 watts
Input Voltage	24 \pm 2V

Hardware

Transducer:	4 Beam Convex
Transducer Beam Angle:	22°
Housing:	Anodized Aluminum and Plastics
Communication:	RS422 or RS232

Optional Sensors

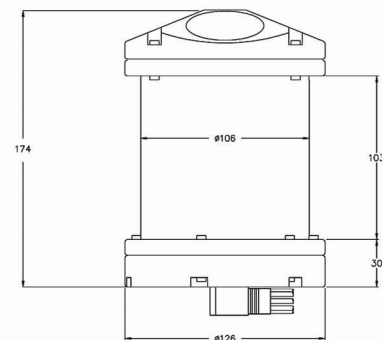
Compass
Accuracy: \pm 2°
Tilt (pitch and roll)
\pm 0.5° up to \pm 15°
Temperature
Accuracy: \pm 0.4°C from -5°C to 45°C

Options

Full-featured Current Profiling
OEM System Without Pressure Housing

Weight and Dimension

Transducer Assembly Diameter	12.6 cm
Housing Diameter	12.6 cm
Overall Length	17 cm
Weight In Air	2.9 kg
Weight In Water	1.2 kg



LinkQuest Inc.

6749 Top Gun Street, San Diego, CA 92121, USA
Tel: (858) 623-9900, 623-9916 Fax: (858) 623-9918
sales@link-quest.com <http://www.link-quest.com>